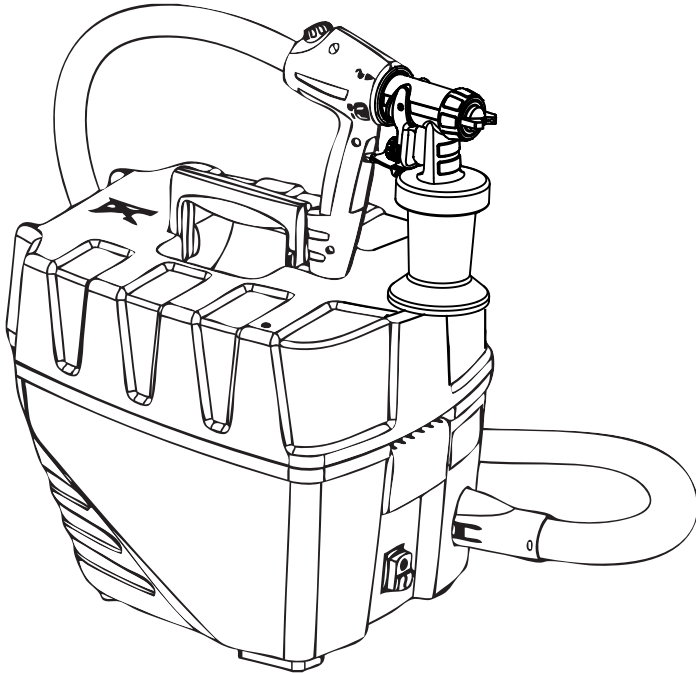




# AURA<sup>®</sup>

Spraying Innovations



## **Elite Click & Tan Spa Sprayer white**

**GB/D**



**Contents**




1. Explanation of symbols used .....	1
2. Field of application .....	1
3. General Safety Instructions .....	1
4. Processable materials .....	3
5. Non-processable materials .....	3
6. Preparation of the spray area .....	4
7. General preparations before the application of spray tanning lotion .....	4
8. Preparation of the skin .....	4
9. Start-up .....	5
10. Operation .....	6
11. Tips on using the spray tanning system .....	7
12. After application of the spray tanning lotion .....	7
13. Taking Out of Operation and Cleaning .....	8
14. Maintenance .....	9
15. Spare parts .....	10
16. Correction of Malfunctions .....	11

## Translation of the original operating instructions

### Congratulations on the purchase of your Aura Spray Tanning System.

You have purchased a branded product, which requires careful cleaning and care to ensure smooth operation. **Please read the operating manual carefully before commissioning the Spray Tanning System and note the safety instructions. Keep the operating instructions in a safe place.**

## 1. Explanation of symbols used

	<p><b>This symbol indicates a potential danger for you or for the Spray Tanning System. Under this symbol you can find important information on how to avoid injuries and damage to the Spray Tanning System.</b></p>
	<p><b>Indicates tips for use and other particularly useful information.</b></p>
	<p><b>Do not sit or stand on the base unit. Danger of tilting/breaking!</b></p>

## 2. Field of application

The Aura Spray Tanning System has been specifically developed for the application of liquid spray tanning lotion. Any application other than that described in this operating manual is not permitted.

## 3. General Safety Instructions




### **ATTENTION! EXPLOSION HAZARD!**

**Do not store flammable materials in the base unit!**

**Materials may only be stored in hermetically sealed containers in the base unit! Any material spills in the base unit must be wiped up immediately and allowed to dry completely before operation! Do not store solvent-based materials in the base unit during operation!**

- Do not use the spray guns to spray flammable substances.
- The spray guns are not to be cleaned with flammable solvents.
- There must be no sources of ignition such as, for example, open fires, smoke of lit cigarettes, cigars and tobacco pipes, sparks, glowing wires, hot surfaces, etc. in the vicinity during spraying.
- Caution against dangers that can arise from the sprayed substance and observe the


text and information on the containers or the specifications given by the substance manufacturer.

- Do not spray any liquid of unknown hazard potential.
- Attention! Spray tanning lotions do not generally offer any protection against sunburn. Repeated unprotected contact with the sun increases the risk of skin cancer, skin aging and other harmful effects.
- This Spray Tanning System is not intended for use by persons (including children) with reduced physical, sensory or mental capabilities, or lack of experience and knowledge, unless they have been given supervision or instruction concerning use of the Spray Tanning System by a person responsible for their safety.
- Do not let children play with the Spray Tanning System.
- Never direct the spray gun at animals.
- Ensure that the spray area is well ventilated.
- Do not breathe in spray tanning lotion. Wearing nasal plugs is recommended.
- Do not spray into the eyes. Wearing safety goggles is recommended.
- If spray tanning lotion is sprayed into the eyes, wash them out with water immediately and consult a doctor.
- Do not spray spray tanning lotion into open wounds or onto damaged skin.
- Cover your hair when spraying your face. Otherwise bleached hair in particular could be stained by the spray tanning lotion.
- Never immerse the Spray Tanning System under water.
-  Warning: Never use your Spray Tanning System near bath tubs, shower trays or other receptacles that contain water.
- Always remove the power plug after use, if the Spray Tanning System is located near a washbasin or another water source. Water always represents a hazard even when the system is switched off.
- As additional protection, the installation of a residual current protective device (FI/RCD) with a rated tripping current of no more than 30 mA is recommended in the bathroom circuit. Ask your installer for advice.
- Always remove the power plug before topping up the spray container or cleaning the system.
- Only use genuine spare parts from the manufacturer. With original Aura accessories and spare parts, you have the guarantee that all safety regulations are fulfilled.
- Never open the Spray Tanning System yourself to carry out electrical repairs!
- Do not sit or stand on the base unit. Danger of tilting/breaking!
- Do not place the spray gun on its side, as material could leak out.
- The system is equipped with a thermal release which disconnects the system in case of overheating. In this case, turn off the system, remove the plug and let the system cool down for at least 1/2 hour. Eliminate the cause of heating, e.g. bent hose, soiled air filter, slots for air intake covered.

## 4. Processable materials

Liquid spray tanning lotion

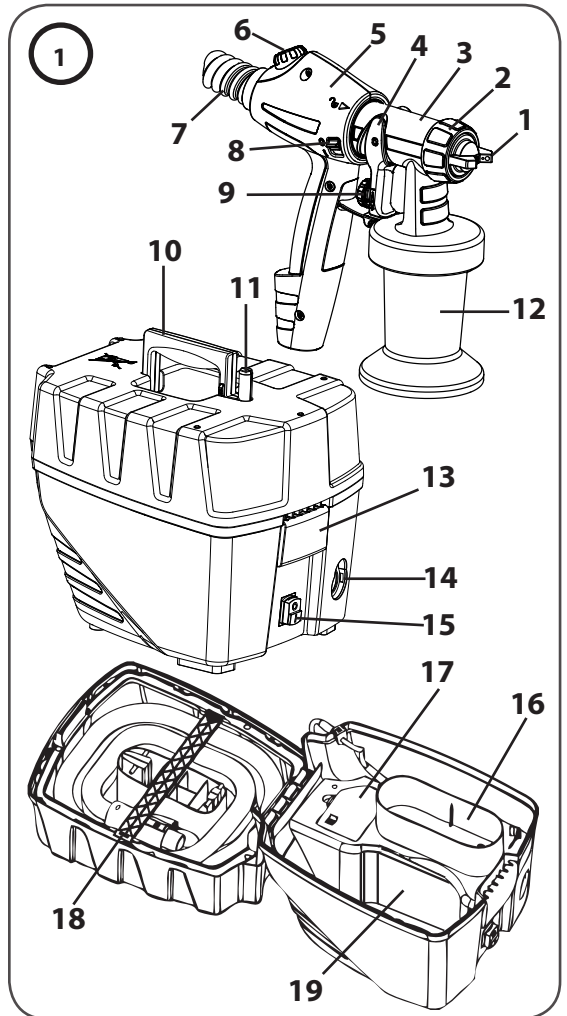


Only use spray tanning lotion up to the expiry date specified on the package.  means, for example, that the substance can be used for 12 months after opening.

## 5. Non-processable materials

All materials not approved for skin treatment

Description (Fig. 1)
1) Air cap /Nozzle
2) Union nut
3) Spray attachment (2 pcs.)
4) Trigger
5) Gun handle
6) Air volume control
7) Air hose
8) ON/OFF switch
9) Material volume regulation
10) Carry handle
11) Gun holder
12) Container
13) Closure
14) Air hose connection
15) Main switch
16) Deposition tray for small parts
17) Cover of air filter compartment
18) Air hose retainer
19) Deposition tray



## 6. Preparation of the spray area

- Remove all objects from the spray area if possible, in order to avoid contamination from overspray.
- Work in a room with a smooth, easy-to-clean surface.  
The use of a spray booth/spray tent is recommended.

## 7. General preparations before the application of spray tanning lotion



Test the compatibility of the spray tanning lotion on a small patch of skin approx. 24 hours before the actual application of the spray tanning lotion. Stop application if skin irritations occur.

- Approx. 24-48 hours prior to treatment remove body hair by shaving or waxing.
- Do not apply any perfume, deodorant or make-up. These products can negatively influence the tanning result.
- On the day of the treatment wear dark, loose-fitting clothing, in order to prevent discoloration of clothing by the spray tanning lotion.
- Remove all jewelry, in order to avoid discoloration by the spray tanning lotion.

## 8. Preparation of the skin



Correct preparation of the skin is the key to an even and long lasting tanning result. Please note the following instructions

- Remove all dead skin cells by means of exfoliation before applying the spray tanning lotion.
- Make sure that the moisture content of the skin is as uniform as possible. Use a moisturizer for dry areas (e.g. elbows and knees). Let the moisturizer dry before commencing the treatment.
- Apply a little balm to lips, nails, palms of the hands, eyebrows and the hairline for protection.

## 9. Start-up

Before connecting to the mains supply, be sure that the supply voltage is identical with the value given on the rating plate.

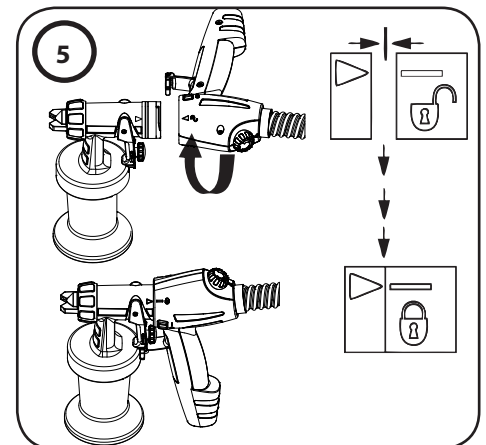
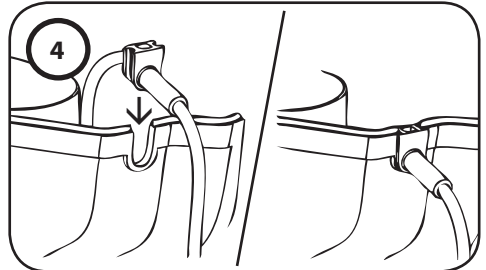
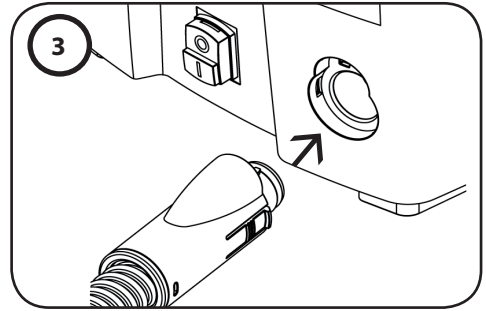
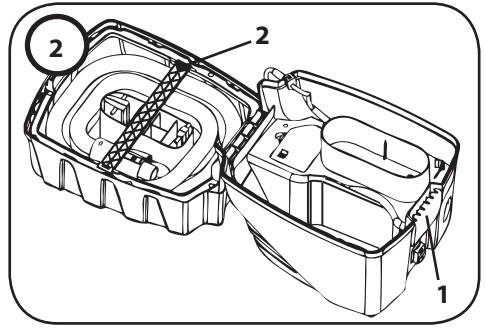
Always lower the carry handle in the cover before opening the cover. Press the locking device on both sides to this purpose.

1. Open the closure (Fig. 2, 1) and fold open the cover of the device.
2. Open the air hose retainer (Fig. 2, 2).
3. Remove the air hose and connect it to the air hose connection (Fig. 3).
4. Close the air hose retainer again.
5. Unroll the power cable and slide the cable grommet into the provided recess (Fig. 4)



**ATTENTION: Do not close the cover if the cable grommet is not positioned correctly. The power cable could otherwise be damaged!**

6. Remove the spray attachment from the deposition tray
7. Unscrew the container from the spray attachment.
8. Prepare spray tanning lotion according to manufacturer's instructions and pour into the container.
9. Screw the container firmly onto the spray attachment.
10. Connect the front part of the gun and the gun handle to each other. (Fig. 5)
11. Close the device cover and pull the carry handle upwards. This makes the gun holder accessible.
12. Put the spray gun onto the gun holder at the device.
13. Place the device only on a plane and clean surface. Otherwise, the gun may suck in dust, etc.



14. Switch on the main switch at the device (Fig. 6).

## 10. Operation

How the Spray Tanning system is handled, including preparation of the work place and spray tanning lotion as well as the final result, is the sole responsibility of the operator.

Wagner excludes any liability for damage which may arise from overspray, application errors, touch-ups, or non-compliance with the instructions provided here.

- Press the On/Off switch at the gun handle (Fig. 7, 1).

- Turn the material control (Fig. 7, 2), in order to adjust the desired delivery rate.

lower material volume (-):

→ turn anti-clockwise

higher material volume (+):

→ turn clockwise

- Turn the air volume control (Fig. 7, 3), in order to optimize the atomization and reduce overspray.

less air (-):

→ turn anti-clockwise

more air (+):

→ turn clockwise

- Turn the air cap (Fig. 8, 1) with the union nut slightly unscrewed (2), to adjust the shape of the spray jet:

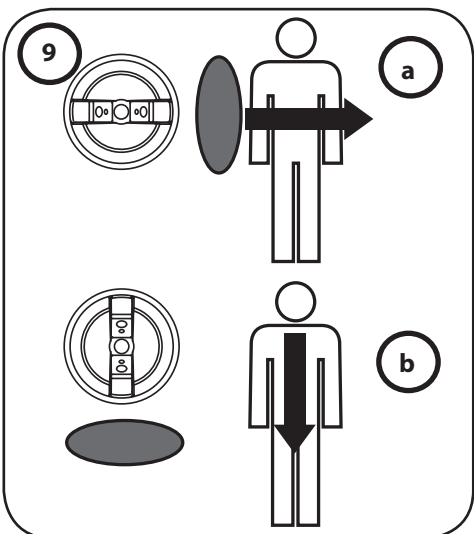
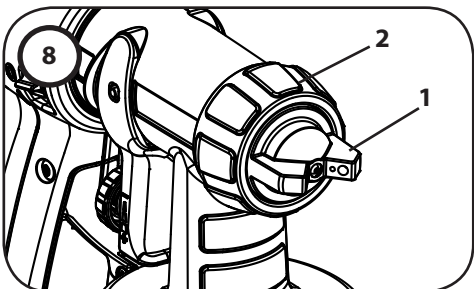
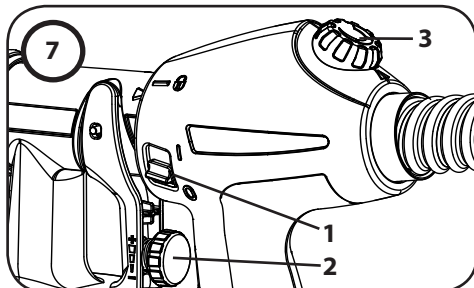
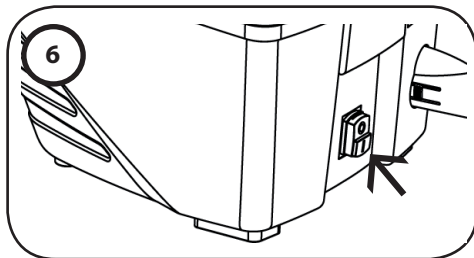
Fig. 9a vertical flat jet:

For spray movements from left to right

Fig. 9b horizontal flat jet:

For spray movements from top to bottom

- Pull the trigger to spray the spray tanning lotion.





## 11. Tips on using the spray tanning system



**Before commencing application, check that all necessary protective measures (nasal plugs, safety goggles, hair covering) have been taken.**



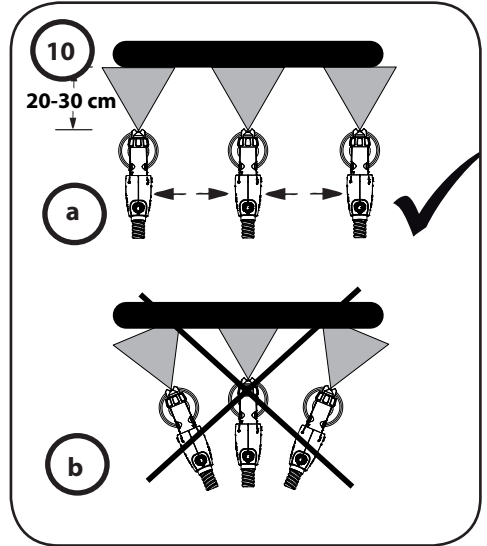
Practice on a large piece of cardboard or paper first of all, in order to find the optimal settings for the spray tanning lotion used.

- Start and end the spray movement outside the body.
- Avoid interruptions during the spray movement.
- The spray movement should come from the arm, not just from the wrist. This ensures that a uniform distance is maintained between the spray gun and the body during the spray operation. Select a distance of 20 - 30 cm, depending on the desired spray jet width.

**Fig. 10 a: CORRECT** Even distance

**Fig. 10 b: INCORRECT** uneven distance will result in uneven tanning

- Move the spray gun at an even speed



## 12. After application of the spray tanning lotion



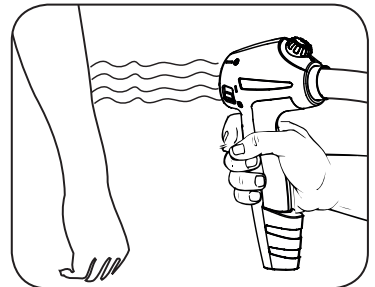
The full tanning effect develops during the first 24 hours after the treatment.

- Allow the spray tanning lotion to dry for 15-20 minutes before getting dressed again.



You can also use the air from the air hose to accelerate the drying process of the spray tanning lotion. To do this, simply remove the spray attachment from the handle and switch the system on.

- Do not shower or bathe in the first 6-8 hours after application, as this will affect the tanning result.
- Prolonged hot baths and showers should be avoided, in order to maintain the tanning effect for as long as possible. Daily moisturization of the skin is also recommended.



## 13. Taking Out of Operation and Cleaning



Clean the Spray Tanning System as required, but at the end of the working day/ application as a minimum. Dried spray tanning lotion makes cleaning more difficult and can even damage the system.

- 1) Turn the system off.
- 2) Divide the spray gun. Press the hook (Fig. 11 "click") slightly downwards. Turn the gun front part and gun rear part against each other.

**ATTENTION: Never hold the gun handle under water or immerse it into liquids. Clean the housing only with a moistened cloth.**

- 3) Unscrew the container.
- 4) Pour any remaining spray tanning lotion back into the original packaging.
- 5) Preclean the container and feed tube with a brush.
- 6) Clean the ventilating bore (Fig. 12, 1).
- 7) Pour water into the container. Screw the container back on.

**Do not use flammable materials for cleaning purposes.**

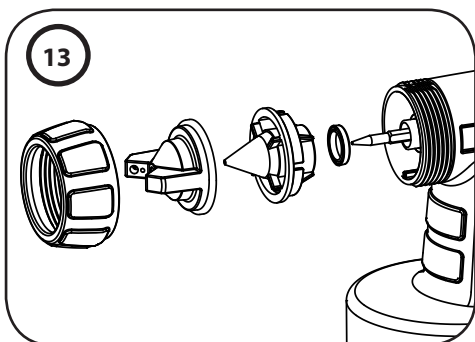
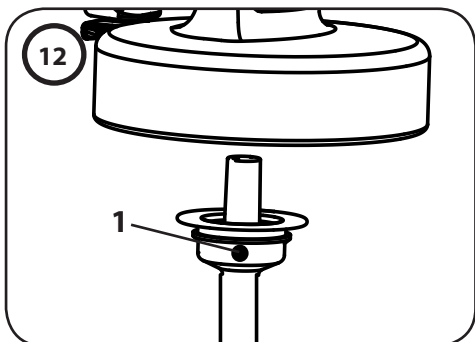
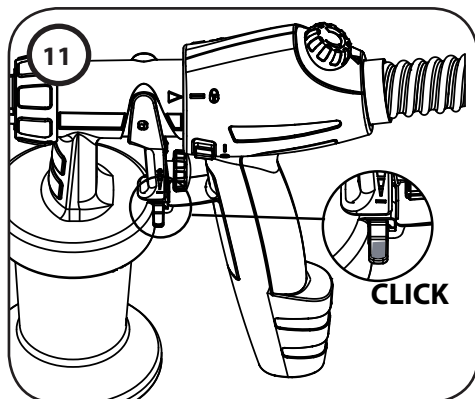
- 8) Assemble the gun again.
- 9) Turn on the system and spray the water into a container or a cloth.
- 10) Repeat the above procedure until the water emerging from the nozzle is clear.

- 11) Turn off the system and divide the spray gun.
- 12) Screw off the container and empty it. Pull out the feed tub with container seal.

**CAUTION!** Never clean seals, nozzles or air holes of the spray gun with metal objects..

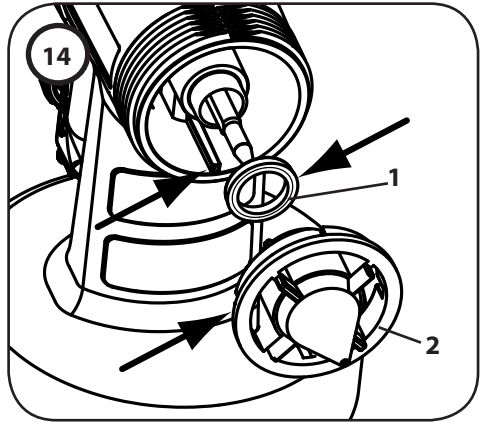
- 13) Unscrew the union nut and remove the air cap and nozzle (Fig. 13). Clean the air cap, nozzle seal and nozzle with a brush and water.

- 14) Clean the outside of the spray gun and container with a cloth soaked in water.
- 15) Assemble the parts again (see "Assembly").



## Assembly

- 1) Slide the nozzle seal (Fig. 14, 1) with the groove (slot) facing forwards into the nozzle (2).
- 2) Put the nozzle onto the gun body and find the correct position by turning it.
- 3) Put the air cap onto the nozzle and tighten it using the union nut.
- 4) Place the container seal (Fig. 15, 1) from below on the feed tube(2) and slide it over the collar, while turning the container seal slightly.
- 5) Insert the feed tube with container seal in the gun body.

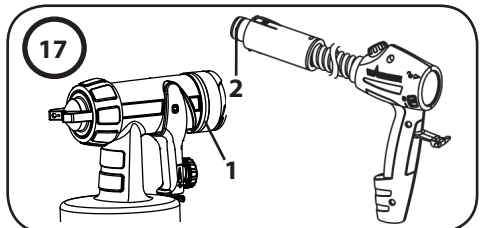
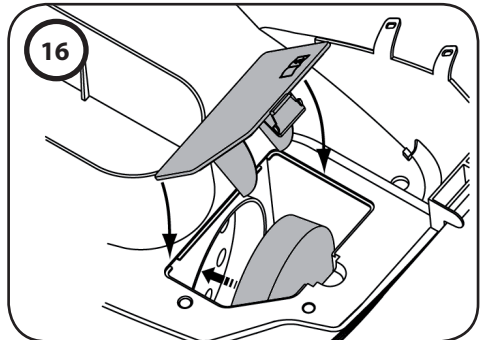
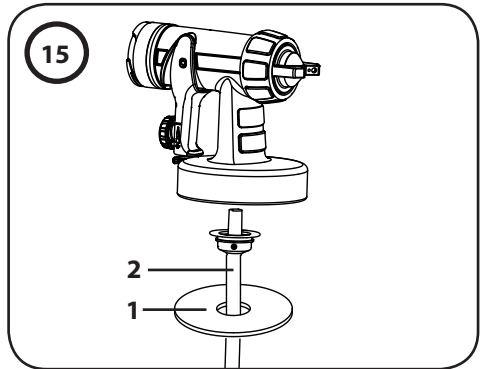


## 14. Maintenance

**Important!** Never operate the system without the air filter; dirt could be sucked in and interfere with the function of the system.  
**Do not store any objects in the air filter compartment.**

- 1) Change the air filter if it is soiled (check daily in the case of intensive/ commercial use).
- 2) Open the cover of the air filter compartment (Fig. 16).
- 3) Insert a new air filter into the compartment.
- 4) Close the cover of the air filter compartment.

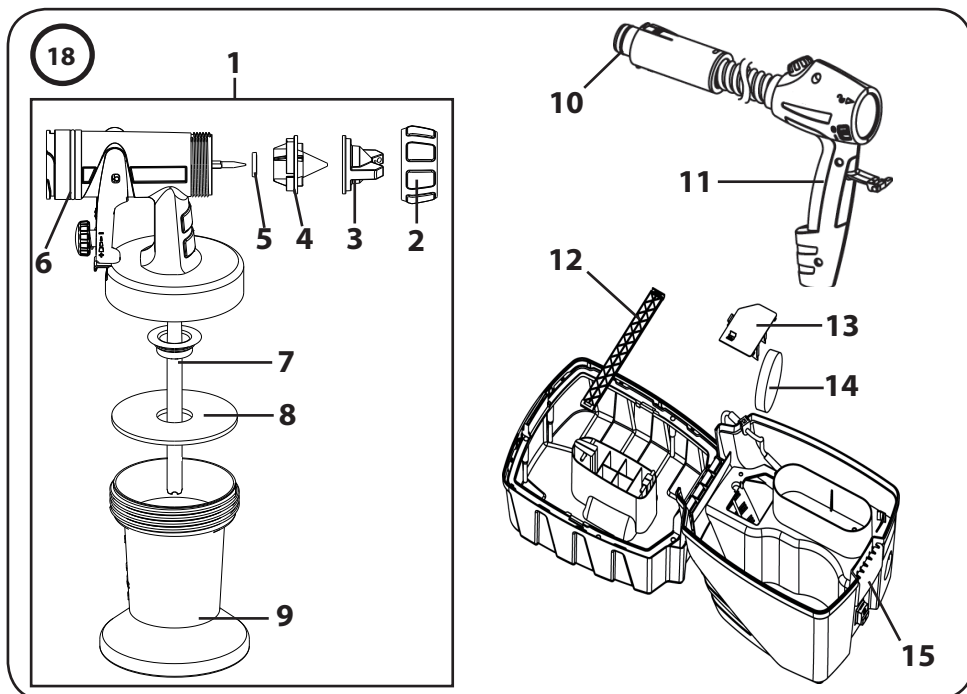
**In order to mount the gun more easily apply lubricating grease (enclosed) liberally to the O-ring at the spray attachment (Fig. 17, 1) and to the O-ring of the plug connection of the air hose (2).**



## 15. Spare parts

### Spare Parts List (Fig. 18)

Pos.	Designation	Order No.
1	Spray attachment complete with 200 ml container	2334596
2	Union nut	2334 854
3	Air cap	2334 860
4	Nozzle	2334 874
5	Nozzle seal	0417 706
6	O-ring of spray attachment	0417 308
7	Feed tube	2334 413
8	Container seal	2323 039
9	Container with cover 200 ml	2334 417
10	O-ring of air hose	0420 316
11	Gun handle with air hose	2334 411
12	Air hose retainer	2334 423
13	Cover of air filter compartment	2334 428
14	Air filter (2 pcs.)	2334 431
15	Closure	2334 419
	Lubricant	2315 539



## 16. Correction of Malfunctions

Malfunction	Cause	Remedy
No spray tanning lotion comes out of the nozzle	<ul style="list-style-type: none"> <li>• Nozzle clogged</li> <li>• Material volume setting turned too far to the left (-)</li> <li>• No pressure build-up in container</li> <li>• Container empty</li> <li>• Feed tube loose</li> <li>• Feed tube clogged</li> </ul>	<ul style="list-style-type: none"> <li>→ Clean</li> <li>→ Turn to the right (+)</li> <li>→ Tighten container</li> <li>→ Refill</li> <li>→ Insert</li> <li>→ Clean</li> </ul>
Spray tanning lotion drips out of the nozzle	<ul style="list-style-type: none"> <li>• Spray tanning lotion has accumulated on the air cap, nozzle or needle</li> <li>• Nozzle loose</li> <li>• Nozzle seal worn</li> <li>• Nozzle worn</li> </ul>	<ul style="list-style-type: none"> <li>→ Clean</li> <li>→ Union nut tighten</li> <li>→ Change</li> <li>→ Change</li> </ul>
Atomisation too coarse	<ul style="list-style-type: none"> <li>• Material volume adjusting screw turned too far to the right (+)</li> <li>• Nozzle contaminated</li> <li>• Too little pressure build-up in container</li> <li>• Air filter heavily soiled</li> </ul>	<ul style="list-style-type: none"> <li>→ Turn material volume adjusting screw to the left (-)</li> <li>→ Clean</li> <li>→ Tighten container</li> <li>→ Change</li> </ul>
Uneven spray pattern	<ul style="list-style-type: none"> <li>• Spray tanning lotion in the container is running out</li> <li>• Nozzle seal worn</li> <li>• Air filter heavily soiled</li> </ul>	<ul style="list-style-type: none"> <li>→ Refill</li> <li>→ Replace</li> <li>→ Replace</li> </ul>
Excessive overspray	<ul style="list-style-type: none"> <li>• Distance too large</li> <li>• Material volume adjusting screw turned too far to the right (+)</li> </ul>	<ul style="list-style-type: none"> <li>→ Reduce distance</li> <li>→ Turn material volume adjusting screw to the left (-)</li> </ul>
Spray tanning lotion runs down body	<ul style="list-style-type: none"> <li>• Too much spray tanning lotion applied</li> <li>• Spray paths overlap too much</li> <li>• Spraying distance too small or spray movement too slow</li> </ul>	<ul style="list-style-type: none"> <li>→ Carefully dab affected points with a towel, reduce flow setting if required and lightly overspray again</li> </ul>
The tan is patchy or blotchy	<ul style="list-style-type: none"> <li>• Skin was not correctly prepared</li> <li>• Spray movement not even enough</li> </ul>	<ul style="list-style-type: none"> <li>→ Correct by lightly overspraying</li> </ul>

Malfunction	Cause	Remedy
Customer's skin appears orange	<ul style="list-style-type: none"> <li>• Too much spray tanning lotion applied</li> <li>• Skin was not correctly prepared</li> <li>• High sensitivity to active ingredient DHA</li> </ul>	<p>→ Remove spray tanning lotion from the skin. Prepare skin correctly for new application, reduce flow setting</p> <p>→ Use another shade with lower concentration of DHA</p>
System no longer functions during use	<ul style="list-style-type: none"> <li>• System overheated</li> </ul>	<p>→ Unplug the power plug, let the system cool down approx. 30 minutes, do not bend the hose, check the air filter, do not cover the intake slots</p>

### Technical Data

Power source:	230 V ~, 50 Hz
Power consumption:	570 W
Double insulation:	<input type="checkbox"/>
Sound pressure level*	80 dB (A); Uncertainty K = 4 dB
Sound pressure output*	93 dB (A); Uncertainty K = 4 dB
Oscillation level	< 2.5 m/s <sup>2</sup> ; Uncertainty K = 1.5 m/s <sup>2</sup>
Air hose length:	3.5 m
Container capacity:	200 ml
Weight:	approx. 6.2 kg

\* Measured in accordance with EN 50144-2-7:2000

## Environmental protection



The appliance and accessories should be recycled in an environmentally friendly way. Do not dispose of the appliance with household waste. Support environmental protection by taking the appliance to a local collection point or obtain information from a specialist retailer.

## Important Note regarding Product Liability!

Due to an EC ordinance in effect since 01.01.1990, the manufacturer is liable for his product only if all parts originate from or were approved by the manufacturer and the devices are assembled and operated correctly. The use of other accessories and spare parts can partially or completely invalidate the liability.

## Guarantee

The guarantee runs for two years, counting from the date of sale (sales slip) in case of private use, and 1 year in case of commercial use. It covers and is restricted to free-of-charge rectification of faults which are demonstrably attributable to the use of faulty materials in manufacture, or assembly errors; or free-of-charge replacement of the defective parts. The guarantee does not cover incorrect use or commissioning or fitting or repair work which is not stated in our operating instructions. Wearing parts are also excluded from the guarantee. This includes in particular cables, valves, nozzles, fluid-carrying housing components, filters, hoses, seals, etc.. We expressly reserve the right to fulfil the guarantee. The guarantee expires if the tool is opened up by persons other than WAGNER service personnel. Transport damage, maintenance work and loss and damage due to faulty maintenance work are not covered by the guarantee. Under any guarantee claim, there must be proof of purchase of the tool through submission of the original receipt. Wherever legally possible, we exclude all liability for injury, damage or consequential loss, especially if the tool has been used for a purpose other than that stated in the operating instructions, commissioned or repaired other than in accordance with our operating instructions or if repairs are performed by someone who is unqualified. We reserve the right to perform any repairs in excess of those stated in our operating instructions. In case of guarantee or repair, please refer to your point of sale.

## Warning

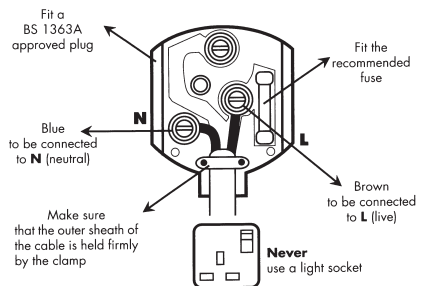
If the supply cord of this appliance is damaged, it must only be replaced by a repair shop appointed by the manufacturer, because special purpose tools are required.

**Warning:** Do not connect the blue or brown wire to the earth terminal of the plug! The wires in this mains lead are coloured in accordance with the following code:

**blue** = neutral **brown** = live

As the colours of the wires in the mains lead of this appliance may not correspond with the coloured markings identifying the terminals in your plug, proceed as follows:

- ◆ Should the moulded plug have to be replaced, never re-use the defective plug or attempt to plug it into a different 13 A socket. This could result in an electric shock.
- ◆ Should it be necessary to exchange the fuse in the plug only use fuses approved by ASTA in accordance with BS 1362. 5 Amp fuses may be used.
- ◆ To ensure that the fuse and fuse carrier are correctly mounted please observe the provided markings or colour coding in the plug.
- ◆ After changing the fuse, always make sure that the fuse carrier is correctly inserted. Without the fuse carrier, it is not permissible to use the plug.
- ◆ The correct fuses and fuse carriers are available from your local electrical supplies stockist.



**Inhalt**

- 1. Erklärung der verwendeten Symbole ..... 15
- 2. Anwendungsbereich ..... 15
- 3. Allgemeine Sicherheitshinweise..... 15
- 4. Verarbeitbare Materialien ..... 17
- 5. Nichtverarbeitbare Materialien ..... 17
- 6. Vorbereitungen des Sprühbereiches..... 18
- 7. Allgemeine Vorbereitungen vor dem Auftrag der Spray Tanning Lotion..... 18
- 8. Vorbehandlung der Haut..... 18
- 9. Inbetriebnahme ..... 19
- 10. Bedienung des Systems..... 20
- 11. Tipps zur Benutzung des Spray Tanning Systems..... 21
- 12. Nach dem Auftragen der Spray Tanning Lotion ..... 21
- 13. Außerbetriebnahme und Reinigung..... 22
- 14. Wartung ..... 23
- 15. Ersatzteile ..... 24
- 16. Behebung von Störungen ..... 25






## Originalbetriebsanleitung

Herzlichen Glückwunsch zum Erwerb Ihres Aura Spray Tanning Systems.

Sie haben ein Markenprodukt erworben, das für eine reibungslose Funktion einer sorgfältigen Reinigung und Pflege bedarf. **Bitte lesen Sie vor Inbetriebnahme des Spray Tanning Systems die Bedienungsanleitung genau durch und beachten Sie die Sicherheitshinweise. Bewahren Sie die Bedienungsanleitung sorgfältig auf.**

### 1. Erklärung der verwendeten Symbole

	<b>Dieses Symbol weist auf eine potenzielle Gefahr für Sie bzw. das System hin. Unter diesem Symbol finden Sie wichtige Informationen, wie Sie Verletzungen und Schäden am System vermeiden.</b>
	<b>Kennzeichnet Anwendungstipps und andere besonders nützliche Hinweise.</b>
	<b>Nicht auf die Basiseinheit sitzen oder stehen. Kipp-/Bruchgefahr!</b>

### 2. Anwendungsbereich

Das Aura Spray Tanning System wurde speziell zum Auftrag von flüssiger Spray Tanning Lotion (Bräunungsmittel) entwickelt. Eine andere Anwendung, als in dieser Bedienungsanleitung beschrieben, ist nicht zulässig.


### 3. Allgemeine Sicherheitshinweise



#### **ACHTUNG EXPLOSIONSGEFAHR!**

**Keine brennbaren Materialien in der Basiseinheit aufbewahren! Materialien nur in luftdicht verschlossenen Behältnissen in der Basiseinheit aufbewahren! In der Basiseinheit ausgelaufenes Material sofort aufwischen und vor Betrieb restlos austrocknen lassen! Während des Betriebs keine lösemittelhaltigen Materialien in der Basiseinheit aufbewahren!**

- Die Sprühpistolen dürfen nicht zum Sprühen brennbarer Stoffe verwendet werden.
- Die Sprühpistolen dürfen nicht mit brennbaren Lösungsmitteln gereinigt werden.
- Beim Sprühen dürfen in der Umgebung keine Zündquellen vorhanden sein, wie z. B. offenes Feuer, Rauchen von Zigaretten, Funken, glühende Drähte und heiße Oberflächen.
- Achten Sie auf die Gefahren die von dem versprühten Stoff ausgehen können und beachten Sie ebenfalls die Aufschriften auf den Behältern oder die vom Hersteller des Stoffes angegebenen Hinweise.

- Versprühen Sie keinerlei Stoffe von denen Sie die Gefährlichkeit nicht kennen.
- Achtung! Spray Tanning Lotionen bieten im Allgemeinen keinen Schutz gegen Sonnenbrand. Der wiederholte ungeschützte Kontakt mit der Sonne erhöht das Risiko von Hautkrebs, Hautalterung und anderen schädlichen Effekten.
- Dieses System ist nicht dafür bestimmt, durch Personen (einschließlich Kinder) mit eingeschränkten physischen, sensorischen oder geistigen Fähigkeiten oder mangels Erfahrung und/oder mangels Wissen benutzt zu werden, es sei denn, sie werden durch eine für Ihre Sicherheit zuständige Person beaufsichtigt oder erhalten von ihr Anweisungen, wie das System zu benutzen ist.
- Lassen Sie Kinder nicht mit dem Spray Tanning System spielen.
- Richten Sie die Sprühpistole niemals auf Tiere.
- Sorgen Sie für eine gute Belüftung des Sprühbereiches.
- Spray Tanning Lotion nicht einatmen. Das Tragen von Nasenstöpsel wird empfohlen.
- Nicht in die Augen sprühen. Das Tragen einer Schutzbrille wird empfohlen.
- Falls die Spray Tanning Lotion in die Augen gesprüht wird, waschen Sie diese unverzüglich mit Wasser aus und wenden Sie sich an einen Arzt.
- Sprühen Sie die Spray Tanning Lotion nicht in offene Wunden oder auf geschädigte Haut.
- Decken Sie beim Besprühen des Gesichts die Haare ab. Insbesondere gebleichtes Haar könnte durch die Spray Tanning Lotion sonst fleckig werden.
- Das Spray Tanning System niemals unter Wasser tauchen.
-  Warnung: Verwenden Sie Ihr Spray Tanning System niemals in der Nähe von Badewannen, Duschwannen oder anderen Gefäßen, die Wasser enthalten.
- Ziehen Sie nach der Benutzung immer den Netzstecker, wenn sich das Spray Tanning System in der Nähe eines Waschbeckens oder einer anderen Wasserquelle befindet. Wasser stellt auch bei einem ausgeschaltetem System immer eine Gefahr dar.
- Als zusätzlicher Schutz wird die Installation einer Fehlerstromschutzeinrichtung (FI/RCD) mit einem Bemessungsauslösestrom von nicht mehr als 30 mA im Badezimmerstromkreis empfohlen. Fragen Sie Ihren Installateur um Rat.
- Ziehen Sie immer den Netzstecker bevor Sie den Sprühbehälter nachfüllen oder das System reinigen.
- Benutzen Sie nur original Ersatzteile des Herstellers. Mit original Aura Zubehör und Ersatzteilen haben Sie die Gewähr, dass alle Sicherheitsvorschriften erfüllt sind.
- Öffnen Sie das Spray Tanning System nie selbst um elektrische Reparaturen auszuführen!
- Nicht auf die Basiseinheit sitzen oder stehen. Kipp-/Bruchgefahr!
- Sprühpistole nicht auf die Seite legen, da Material auslaufen könnte.
- Das Spray Tanning System ist mit einer Thermosicherung ausgestattet, welche das System bei Überhitzung abschaltet. In diesem Falle Spray Tanning System ausschalten, Netzstecker ziehen und das System mind. 30 Minuten abkühlen lassen. Überhitzungsursache abstellen, z. B. geknickter Schlauch, verschmutzter Luftfilter, abgedeckte Schlitze zur Luftansaugung.

## 4. Verarbeitbare Materialien

Flüssige Spray Tanning Lotion (Bräunungsmittel)



Verwenden Sie Spray Tanning Lotion nur bis zum Ablauf des auf der Verpackung angegebenen Haltbarkeitsdatums.



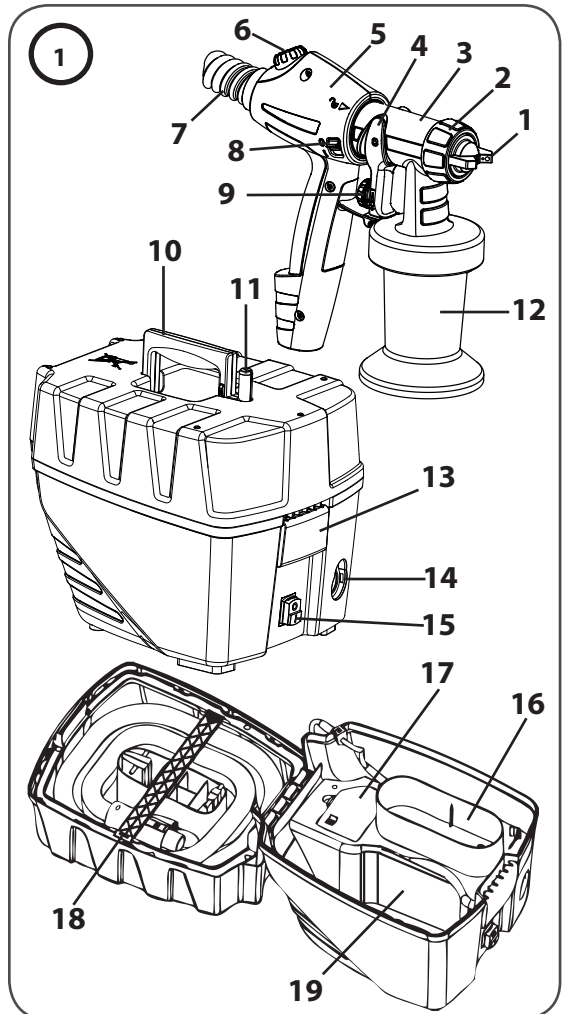
bedeutet zum Beispiel, dass das Mittel nach dem Öffnen noch 12 Monate verwendet werden kann.

## 5. Nichtverarbeitbare Materialien

Alle nicht für die Hautbehandlung zugelassenen Materialien

### Beschreibung (Abb. 1)

1) Luftkappe /Düse
2) Überwurfmutter
3) Sprühaufsatz (2 Stk.)
4) Abzugsbügel
5) Pistolengriff
6) Luftmengenregulierung
7) Luftschlauch
8) EIN / AUS Schalter
9) Materialmengenregulierung
10) Tragegriff
11) Pistolenhalter
12) Behälter
13) Verschluss
14) Luftschlauchanschluss
15) Hauptschalter
16) Ablagefach für Kleinteile
17) Deckel Luftfilterfach
18) Halterung Luftschlauch
19) Ablagefach



## 6. Vorbereitungen des Sprühbereiches

- Entfernen Sie möglichst alle Gegenstände aus dem Sprühbereich, um Verschmutzungen durch Sprühnebel (Overspray) zu vermeiden.
- Arbeiten Sie in einem Raum mit einer glatten, leicht zu reinigenden Oberfläche. Die Verwendung einer Sprühkabine/Sprühzelt ist empfehlenswert.

## 7. Allgemeine Vorbereitungen vor dem Auftrag der Spray Tanning Lotion



Testen Sie die Verträglichkeit der Spray Tanning Lotion auf einer kleinen Hautpartie ca. 24 Stunden vor dem eigentlichen Auftragen der Spray Tanning Lotion. Brechen Sie die Anwendung ab, falls Hautirritationen auftreten.

- Ca. 24-48 Stunden vor der Behandlung Körperbehaarung durch Rasieren oder Entwachsen entfernen.
- Kein Parfüm, Deo oder Make-up auftragen. Diese Produkte können das Bräunungsergebnis negativ beeinflussen.
- Am Tag der Behandlung dunkle, lockersitzende Kleidung tragen, um Verfärbungen der Kleidung durch die Spray Tanning Lotion zu vermeiden.
- Allen Schmuck ablegen, um Verfärbungen durch die Spray Tanning Lotion zu vermeiden.

## 8. Vorbehandlung der Haut



Die richtige Vorbehandlung der Haut ist der Schlüssel für ein gleichmäßiges und langanhaltendes Bräunungsergebnis. Beachten Sie daher die folgenden Hinweise

- Entfernen Sie vor dem Auftragen der Spray Tanning Lotion unbedingt alle abgestorbenen Hautzellen durch Peeling.
- Achten Sie darauf, dass der Feuchtigkeitsgehalt der Haut möglichst gleichmäßig ist. Verwenden Sie für trockene Stellen (z.B. Ellbogen und Knie) einen Feuchtigkeitsspender. Lassen Sie den Feuchtigkeitsspender vor der Behandlung zuerst trocknen.
- Tragen Sie zum Schutz etwas Balsam auf Lippen, Nägel, Handinnenflächen, Augenbrauen und den Haaransatz auf.

## 9. Inbetriebnahme

Vor Anschluss an das Stromnetz darauf achten, dass die Netzspannung mit der Angabe auf dem Leistungsschild übereinstimmt.

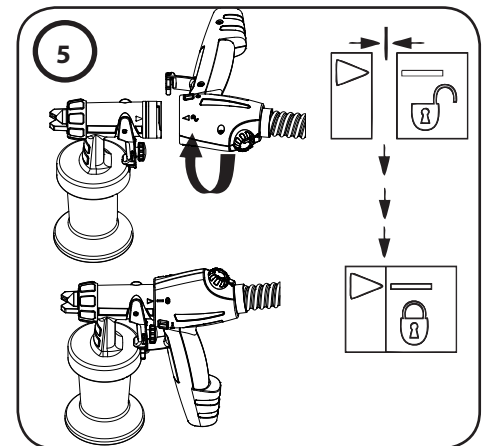
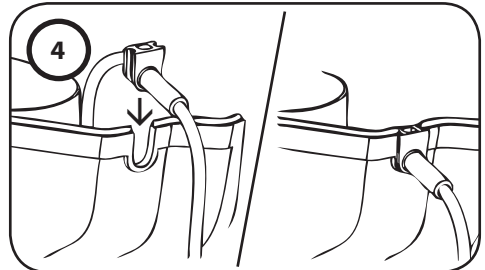
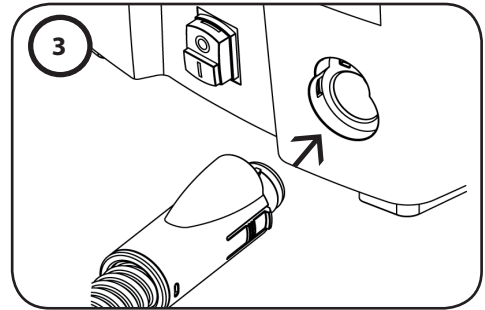
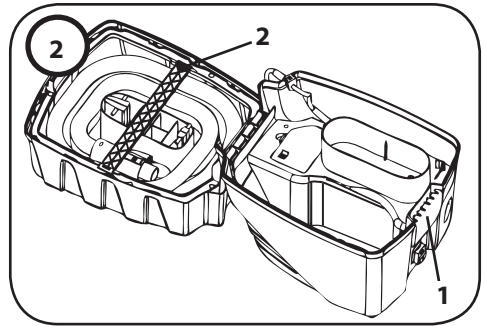
Vor Öffnen des Deckels stets den Tragegriff im Deckel versenken. Hierzu Arretierung beidseitig drücken.

1. Öffnen Sie den Verschluss (Abb. 2, 1) und klappen Sie den Deckel des Gerätes auf.
2. Öffnen Sie die Luftschlauchhalterung (Abb. 2, 2).
3. Entnehmen Sie den Luftschlauch und schließen Sie diesen am Luftschlauchanschluss an (Abb. 3).
4. Halterung Luftschlauch wieder verschließen.
5. Netzkabel abwickeln und Kabeltülle in die vorgesehene Aussparung schieben (Abb. 4)



**ACHTUNG: Deckel nicht schließen wenn die Kabeltülle nicht richtig fixiert ist. Das Netzkabel könnte sonst beschädigt werden!**

6. Entnehmen Sie den Sprühaufsatz aus dem Ablagefach.
7. Behälter vom Sprühaufsatz abschrauben.
8. Spray Tanning Lotion entsprechend den Herstellerangaben vorbereiten und in den Behälter einfüllen.
9. Behälter fest am Sprühaufsatz anschrauben.
10. Vorderteil der Pistole und Pistolengriff miteinander verbinden. (Abb. 5)
11. Gerätedeckel verschließen und Tragegriff nach oben ziehen. Somit wird die Pistolenhalterung zugänglich.
12. Spritzpistole auf Pistolenhalter am Gerät stecken.
13. Gerät nur auf ebener und sauberer Fläche abstellen. Gerät kann sonst Staub usw. ansaugen.



14. Hauptschalter am Gerät betätigen (Abb. 6).

## 10. Bedienung des Systems

Die Handhabung des Systems, einschließlich Vorbereitung von Arbeitsplatz und Spray Tanning Lotion sowie das Sprühergebnis, liegen in der alleinigen Verantwortung des Anwenders. Wagner schließt jegliche Haftung für Schäden aus, die durch Sprühnebel, Anwendungsfehler, Nachbesserungen oder Nichtbeachtung der Anweisungen in dieser Betriebsanleitung entstehen.

- Ein/Aus Schalter am Pistolengriff betätigen (Abb. 7, 1).
- Drehen Sie den Materialregler (Abb. 7, 2), um die gewünschte Fördermenge einzustellen.

weniger Materialmenge (-):

→ gegen den Uhrzeigersinn drehen

mehr Materialmenge (+):

→ im Uhrzeigersinn drehen

- Drehen Sie den Luftmengenregler (Abb. 7, 3), um die Zerstäubung zu optimieren und den Sprühnebel zu reduzieren.

weniger Luft (-):

→ gegen den Uhrzeigersinn drehen

mehr Luft (+):

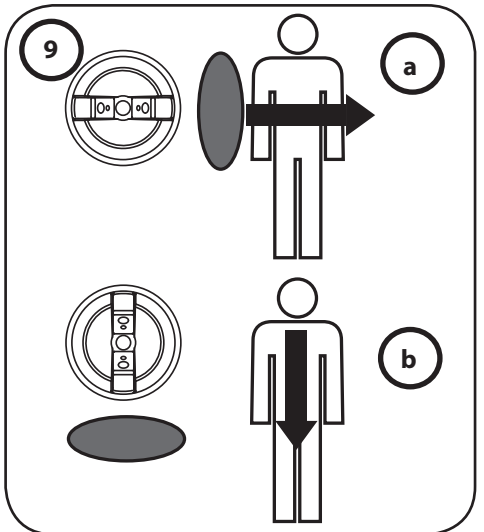
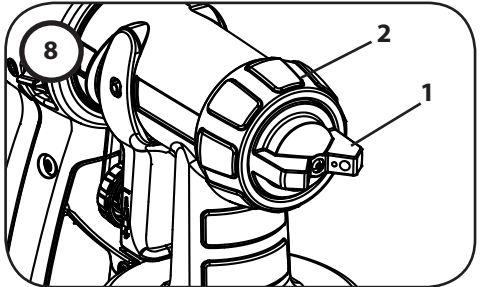
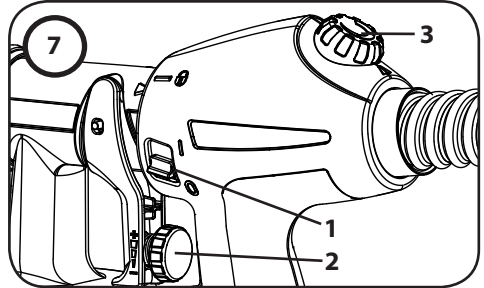
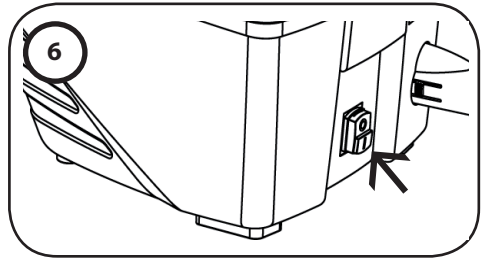
→ im Uhrzeigersinn drehen

- Drehen Sie die Luftkappe (Abb. 8, 1) bei leicht gelöster Überwurfmutter (2), um die Form des Sprühstrahls einzustellen:

Abb. 9a Senkrechter Flachstrahl :  
Für Sprühbewegungen von links nach rechts

Abb. 9b Waagrechter Flachstrahl :  
Für Sprühbewegungen von oben nach unten

- Ziehen Sie den Abzugsbügel, um die Spray Tanning Lotion zu versprühen.



## 11. Tipps zur Benutzung des Spray Tanning Systems



Überprüfen Sie vor Anwendungsbeginn, dass alle notwendigen Schutzmaßnahmen (Nasenstöpsel, Schutzbrille, Abdeckung der Haare) getroffen sind.



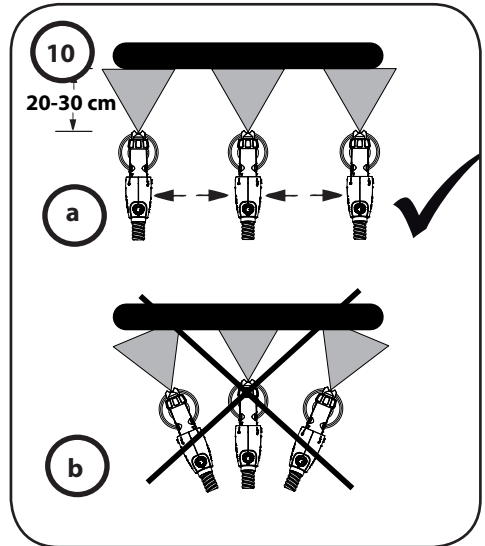
Üben Sie zuerst auf einem größeren Stück Karton oder Papier, um die für die verwendete Spray Tanning Lotion optimalen Einstellungen zu finden.

- Beginnen und beenden Sie die Sprühbewegung außerhalb des Körpers.
- Vermeiden Sie Unterbrechungen während der Sprühbewegung.
- Die Sprühbewegung sollte nicht aus dem Handgelenk, sondern aus dem Arm kommen. Somit bleibt während der Sprühbewegung immer der gleiche Abstand zwischen Sprühpistole und Körper gewährleistet. Wählen Sie einen Abstand von 20 - 30 cm je nach gewünschter Sprühstrahlbreite.

**Abb. 10 a:** RICHTIG gleichmäßiger Abstand

**Abb. 10 b:** FALSCH ungleichmäßiger Abstand führt zu ungleichmäßiger Bräunung

- Bewegen Sie die Sprühpistole mit einer gleichmäßigen Geschwindigkeit.



## 12. Nach dem Auftragen der Spray Tanning Lotion

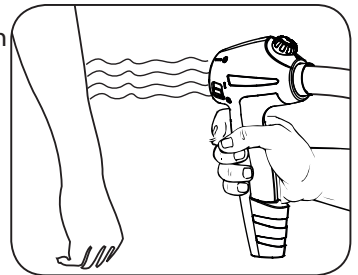


Der vollständige Bräunungseffekt entwickelt sich erst innerhalb der ersten 24 Stunden nach der Behandlung.

- Lassen Sie die Spray Tanning Lotion erst 15-20 Minuten trocknen bevor Sie sich wieder anziehen.



Sie können auch die Luft aus dem Luftschlauch verwenden, um den Trocknungsprozess der Spray Tanning Lotion zu beschleunigen. Entfernen Sie hierzu einfach den Sprühaufsatz vom Handgriff und schalten Sie das System ein.



- Duschen oder Baden Sie innerhalb der ersten 6-8 Stunden nach dem Auftragen nicht, um das Bräunungsergebnis nicht zu beeinträchtigen.
- Um den Bräunungseffekt möglichst lange zu erhalten, sollte längeres heißes Baden und Duschen vermieden werden. Außerdem empfiehlt es sich die Haut täglich einzucremen.

## 13. Außerbetriebnahme und Reinigung



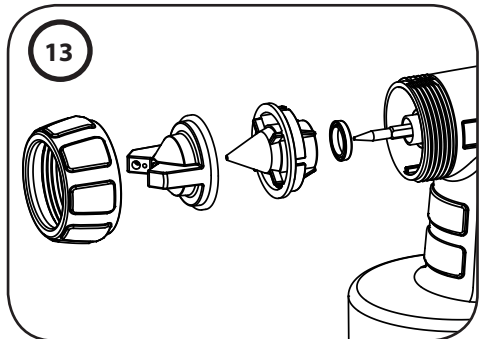
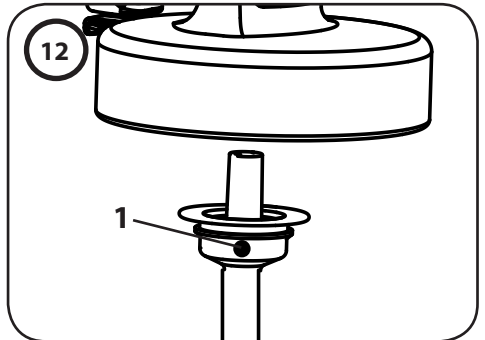
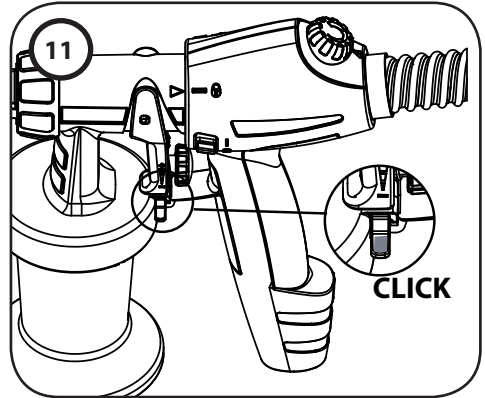
Reinigen Sie das Spray Tanning System nach Bedarf, mindestens jedoch am Ende des Arbeitstages/ der Anwendung. Angetrocknete Spray Tanning Lotion erschwert die Reinigung und kann das System sogar beschädigen.

- 1) Spray Tanning System ausschalten.
- 2) Pistole teilen. Haken (Abb. 11 "click") leicht nach unten drücken. Pistolen-Vorderteil und Pistolen-Griff gegeneinander verdrehen.
- 3) Behälter abschrauben.
- 4) Restliche Spray Tanning Lotion in die Originalverpackung umfüllen.
- 5) Behälter und Steigrohr mit Pinsel vorreinigen.
- 6) Entlüftungsbohrung reinigen (Abb. 12, 1)
- 7) Wasser in den Behälter einfüllen. Behälter anschrauben.

**Verwenden Sie zur Reinigung keine brennbaren Materialien.**

- 8) Pistole wieder zusammenbauen
- 9) Spray Tanning System einschalten und Wasser in einen Behälter oder ein Tuch sprühen.
- 10) Den obigen Vorgang wiederholen, bis an der Düse klares Wasser austritt.
- 11) Spray Tanning System ausschalten und Pistole teilen.
- 12) Behälter abschrauben und entleeren. Steigrohr mit Behälterdichtung herausziehen

**ACHTUNG!** Dichtungen, und Düsen- oder Luftbohrungen der Sprühpistole niemals mit spitzen metallischen Gegenständen reinigen.



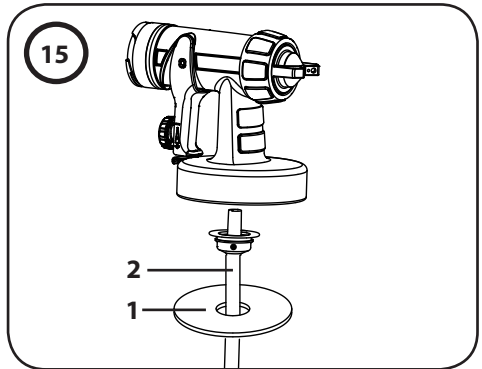
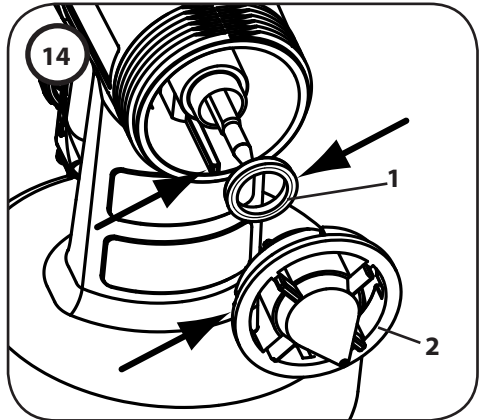
- 13) Überwurfmutter abschrauben, Luftkappe und Düse abnehmen. (Abb. 13) Luftkappe, Düsendichtung und Düse mit Pinsel und Wasser reinigen.



- 14) Spritzpistole und Behälter außen mit einem in Wasser getränktem Tuch reinigen.
- 15) Teile wieder zusammenbauen (siehe "Zusammenbau").

### Zusammenbau

- 1) Düsendichtung (Abb. 14, 1) mit Schlitz voraus in die Düse (2) schieben.
- 2) Düse auf den Pistolenkörper stecken und durch Drehen die richtige Position finden.
- 3) Luftkappe auf Düse stecken und mit Überwurfmutter festziehen.
- 4) Behälterdichtung (Abb. 15, 1) von unten auf das Steigrohr (2) stecken und bis über den Bund schieben, dabei Behälterdichtung leicht drehen.
- 5) Steigrohr mit Behälterdichtung in Pistolenkörper stecken.

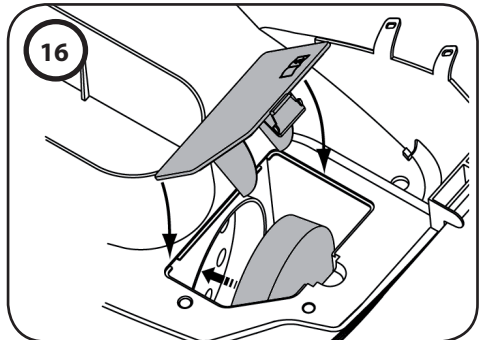


### 14. Wartung

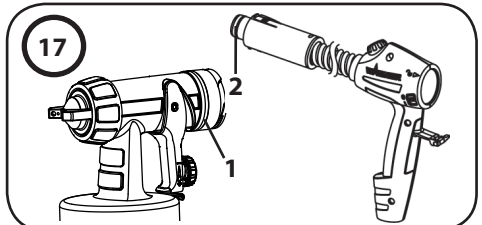
**Wichtig!** System niemals ohne Luftfilter betreiben, es könnte Schmutz angesaugt werden und den Betrieb des Systems beeinflussen.

**Keine Gegenstände im Luftfilterfach aufbewahren.**

- 1) Je nach Verschmutzung den Luftfilter auswechseln (bei intensiver/ kommerzieller Nutzung täglich kontrollieren).
- 2) Deckel des Luftfilterfaches öffnen (Abb. 16).
- 3) Neuer Luftfilter in das Fach einlegen.
- 4) Deckel des Luftfilterfaches wieder schließen.



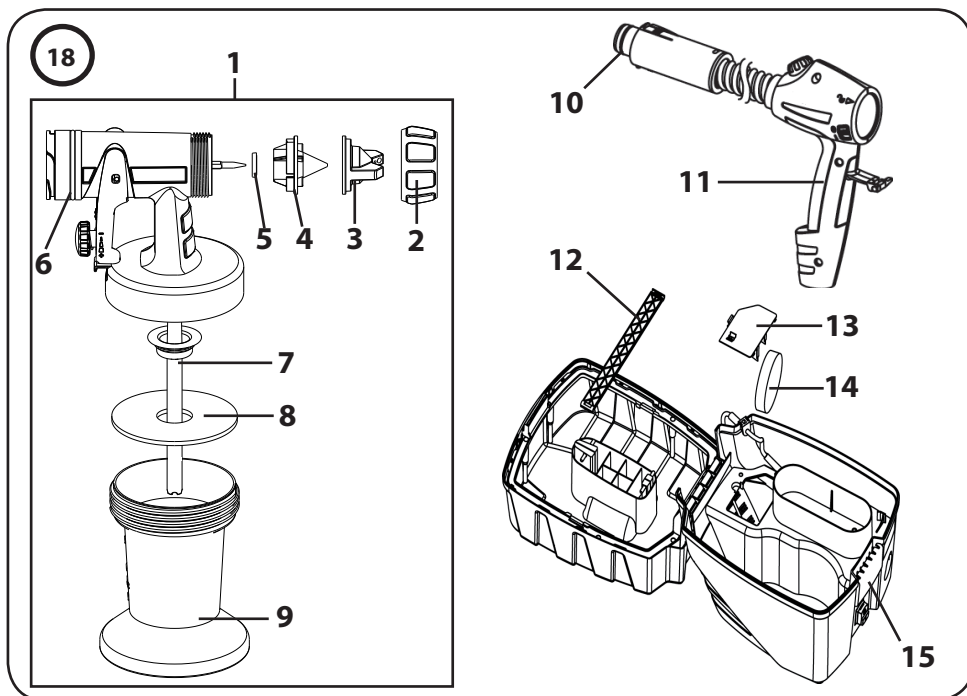
**Zum leichteren Montieren der Pistole, tragen Sie bitte nach dem Reinigen großzügig Schmiermittel (ist beigelegt) am O-Ring von Sprühaufsatz (Abb. 17, 1) und Luftschlauch (2) auf.**



## 15. Ersatzteile

Ersatzteilliste (Abb. 18)


Pos.	Benennung	Best. Nr.
1	Sprühaufsatz kpl. mit Behälter 200 ml	2334596
2	Überwurfmutter	2334 854
3	Luftkappe	2334 860
4	Düse	2334 874
5	Düsendichtung	0417 706
6	O-Ring Sprühaufsatz	0417 308
7	Steigrohr	2334 413
8	Behälterdichtung	2323 039
9	Behälter (200 ml) mit Deckel	2334 417
10	O-Ring Luftschlauch	0420 316
11	Pistolengriff mit Luftschlauch	2334 411
12	Halterung Luftschlauch	2334 423
13	Deckel Luftfilterfach	2334 428
14	Luftfilter (2 Stück)	2334 431
15	Verschluss	2334 419
	Schmiermittel	2315 539



## 16. Behebung von Störungen

Störung	Ursache	Abhilfe
Es kommt keine Spray Tanning Lotion aus der Düse	<ul style="list-style-type: none"> <li>• Düse verstopft</li> <li>• Materialmengen-Einstellung zu weit nach links gedreht (-)</li> <li>• Kein Druckaufbau im Behälter</li> <li>• Behälter leer</li> <li>• Steigrohr lose</li> <li>• Steigrohr verstopft</li> </ul>	<ul style="list-style-type: none"> <li>→ Reinigen</li> <li>→ Nach rechts drehen (+)</li> <li>→ Behälter anziehen</li> <li>→ Nachfüllen</li> <li>→ Einstecken</li> <li>→ Reinigen</li> </ul>
Die Spray Tanning Lotion tropft an der Düse nach	<ul style="list-style-type: none"> <li>• Es hat sich Spray Tanning Lotion an Luftkappe, Düse oder Nadel angesammelt</li> <li>• Düse lose</li> <li>• Düsendichtung verschlissen</li> <li>• Düse verschlissen</li> </ul>	<ul style="list-style-type: none"> <li>→ Reinigen</li> <li>→ Überwurfmutter anziehen</li> <li>→ Auswechseln</li> <li>→ Auswechseln</li> </ul>
Zu grobe Zerstäubung	<ul style="list-style-type: none"> <li>• Materialmengen-Einstellschraube zu weit nach rechts gedreht (+)</li> <li>• Düse verunreinigt</li> <li>• Zu geringer Druckaufbau im Behälter</li> <li>• Luftfilter stark verschmutzt</li> </ul>	<ul style="list-style-type: none"> <li>→ Materialmengen-Einstellschraube nach links drehen (-)</li> <li>→ Reinigen</li> <li>→ Behälter anziehen</li> <li>→ Auswechseln</li> </ul>
Sprühstrahl ungleichmäßig	<ul style="list-style-type: none"> <li>• Spray Tanning Lotion im Behälter geht zu Ende</li> <li>• Düsendichtung verschlissen</li> <li>• Luftfilter stark verschmutzt</li> </ul>	<ul style="list-style-type: none"> <li>→ Nachfüllen</li> <li>→ Auswechseln</li> <li>→ Auswechseln</li> </ul>
Sehr viel Sprühnebel (Overspray)	<ul style="list-style-type: none"> <li>• Abstand zu groß</li> <li>• Materialmengen-Einstellschraube zu weit nach rechts gedreht (+)</li> </ul>	<ul style="list-style-type: none"> <li>→ Abstand verringern</li> <li>→ Materialmengeneinstellschraube nach links drehen (-)</li> </ul>
Spray Tanning Lotion verläuft am Körper	<ul style="list-style-type: none"> <li>• Zuviel Spray Tanning Lotion aufgetragen</li> <li>• Sprühbahnen überlappen sich zu stark</li> <li>• Sprühabstand zu gering oder Sprühbewegung zu langsam</li> </ul>	<ul style="list-style-type: none"> <li>→ Betroffene Stellen vorsichtig mit einem Handtuch abtupfen, Mengeneinstellung bei Bedarf reduzieren und noch einmal leicht übersprühen</li> </ul>

Störung	Ursache	Abhilfe
Die Bräune ist lückenhaft oder fleckig	<ul style="list-style-type: none"> <li>• Haut war nicht richtig vorbehandelt</li> <li>• Sprühbewegung nicht gleichmäßig genug</li> </ul>	→ Durch leichtes Übersprühen korrigieren
Haut des Kunden wirkt orange	<ul style="list-style-type: none"> <li>• Zuviel Spray Tanning Lotion aufgetragen</li> <li>• Haut war nicht richtig vorbehandelt</li> <li>• Hohe Empfindlichkeit auf den Wirkstoff DHA</li> </ul>	→ Spray Tanning Lotion von der Haut entfernen. Für den erneuten Auftrag die Haut richtig vorbehandeln, Mengeneinstellung reduzieren → Einen anderen Farbton mit geringer DHA Konzentration verwenden
System funktioniert während der Benutzung nicht mehr	<ul style="list-style-type: none"> <li>• System überhitzt</li> </ul>	→ Netzstecker ziehen, System 30 Minuten abkühlen lassen, Schlauch nicht knicken, Luftfilter prüfen, Ansaugschlitze nicht abdecken

Technische Daten	
Spannung:	230 V ~, 50 Hz
Leistungsaufnahme:	570 W
Doppelisolation:	
Schalldruckpegel*	80 dB (A) Unsicherheit K= 4 dB
Schallleistungspegel*	93 dB (A); Unsicherheit K= 4 dB
Schwingungspegel	< 2,5 m/s <sup>2</sup> ; Unsicherheit K = 1,5 m/s <sup>2</sup>
Luftschlauchlänge:	3,5 m
Behälterinhalt:	200 ml
Gewicht:	ca. 6,2 kg

\* Gemessen nach EN 50144-2-7:2000

**Umweltschutz**



Das Gerät samt Zubehör sollte einer umweltgerechten Wiederverwertung zugeführt werden. Geben Sie das Gerät bei der Entsorgung nicht in den Hausmüll. Unterstützen Sie den Umweltschutz und bringen Sie deshalb Ihr Gerät zu einer örtlichen Entsorgungsstelle oder erkundigen Sie sich im Fachhandel.

## Wichtiger Hinweis zur Produkthaftung!

Aufgrund einer seit 01.01.1990 gültigen EU-Verordnung haftet der Hersteller nur dann für sein Produkt, wenn alle Teile vom Hersteller stammen oder von diesem freigegeben wurden, bzw. die Geräte sachgemäß montiert und betrieben werden. Bei Verwendung von fremden Zubehör und Ersatzteilen kann die Haftung ganz oder teilweise entfallen.

### Garantie

Die Garantie beträgt bei privater Nutzung 2 Jahre gerechnet vom Tag des Verkaufes (Kassenbon), bei kommerzieller Nutzung 1 Jahr.

Sie umfasst und beschränkt sich auf die kostenlose Behebung der Mängel, die nachweisbar auf die Verwendung nicht einwandfreien Materials bei der Herstellung oder Montagefehler zurückzuführen sind oder kostenlosen Ersatz der defekten Teile. Verwendung oder Inbetriebnahme, sowie selbständig vorgenommene Montagen oder Reparaturen, die nicht in unserer Bedienungsanleitung angegeben sind, schließen eine Garantieleistung aus. Dem Verschleiß unterworfenen Teile sind ebenfalls von der Garantie ausgeschlossen. Hierzu zählen insbesondere Kabel, Ventile, Düsen, Flüssigkeit führende Gehäuseteile, Filter, Schläuche, Dichtungen, etc..

Die Garantieleistung behalten wir uns ausdrücklich vor. Die Garantie erlischt, wenn das Gerät von anderen Personen als dem WAGNER Service - Personal geöffnet wurde. Transportschäden, Wartungsarbeiten sowie Schäden und Störungen durch mangelhafte Wartungsarbeiten fallen, nicht unter die Garantieleistungen. Der Nachweis über den Erwerb des Gerätes muss bei Inanspruchnahme der Gewährleistung durch Vorlage des Originalbeleges geführt werden. Soweit gesetzlich möglich, schließen wir jede Haftung für jegliche Personen,- Sach- oder Folgeschäden aus, insbesondere, wenn das Gerät anders als für den in der Bedienungsanleitung angegebenen Verwendungszweck eingesetzt wurde, nicht nach unserer Bedienungsanleitung in Betrieb genommen oder instandgesetzt oder Reparaturen selbständig von einem Nichtfachmann ausgeführt wurden. Reparaturen oder Instandsetzungsarbeiten, die weitergehen als in dieser Bedienungsanleitung angegeben, behalten wir uns im Werk vor. Im Garantie- bzw. Reparaturfall wenden Sie sich bitte an Ihre Verkaufsstelle.

** CE Konformitätserklärung**

Wir erklären in alleiniger Verantwortung, dass dieses Produkt den folgenden einschlägigen Bestimmungen entspricht:

2006/42/EG, 2004/108/EG, 2011/65/EG, 2002/96/EG

Angewandte harmonisierte Normen:

EN 60335-1:2012; EN 60335-2-23:2001+A1:2008+A1:2010; EN 55014-1:2006 + A1:2009 + A2:2011; EN 55014-2:1997 + Corrigendum 1997 + A1:2001 + A2:2008; EN 61000-3-2:2006 + A1:2009 + A2:2009; EN 61000-3-3:2008; EN 61000-4-2:2009; EN 61000-4-4:2004 + A1:2010; EN 61000-4-5:2006; EN 61000-4-6:2009; EN 61000-4-11:2004; EN 62233:2008

** CE Declaration of Conformity**

We declare under sole responsibility that this product conforms to the following relevant stipulations:

2006/95/EC; 2004/108 EC; 2011/65/EC; 2002/96/EC

Applied harmonised norms:

EN 60335-1:2012; EN 60335-2-23:2001+A1:2008+A1:2010; EN 55014-1:2006 + A1:2009 + A2:2011; EN 55014-2:1997 + Corrigendum 1997 + A1:2001 + A2:2008; EN 61000-3-2:2006 + A1:2009 + A2:2009; EN 61000-3-3:2008; EN 61000-4-2:2009; EN 61000-4-4:2004 + A1:2010; EN 61000-4-5:2006; EN 61000-4-6:2009; EN 61000-4-11:2004; EN 62233:2008



Wagner Spraytech UK Ltd  
Opus Park  
Moorfield Road  
Guildford  
Surrey  
GU1 1SZ  
United Kingdom

Cliff Kinge  
Compliance Engineer  
Dokumentationsverantwortlicher  
Responsible person for documents



**D** **J. Wagner GmbH**  
 Otto-Lilienthal-Str. 18  
**D-88677 Markdorf**  
 ☎ Hotline 0180 5 59 24 637  
 ☎ +49/ (0) 75 44/ 505-1169

**CZ** **E-Coreco s.r.o.**  
 Na Roudné 102  
**301 00 Plzeň**  
 ☎ +420 734 792 823 ☎ +420 227 077 364

**B** **WSB Finishing Equipment**  
 Veilinglaan 56-58  
**1861 Meise-Wolvertem**  
 ☎ +32/2/2 69 46 75 ☎ +32/2/2 69 78 45

**E** **Makimport Herramientas, S.L.**  
 C/ Méjico nº 6  
 Pol. El Descubrimiento  
**28806 Alcalá de Henares (Madrid)**  
 ☎ 902 199 021/ 91 879 72 00 ☎ 91 883 19 59

**F** **Wagner France S.a.r.l.**  
 12 Avenue des Tropiques  
 Z.A. de Courtaboeuf  
**91978 Les Ulis Cedex**  
 ☎ 0 825 011 111 ☎ +33 (0) 1 69 81 72 57

**SLO** Adresa servisa:  
**GMA Elektromehanika d.o.o.**  
 Cesta Andreja Bitenca 115,  
**Ljubljana 1000/Slovenija**  
 ☎ +386(1)/583 83 04 ☎ +386(1)/518 38 03

**DK/S** **Wagner Spraytech**  
**Scandinavia A/S**  
 Helgeshøj Allé 28  
**DK-2630 Tåstrup**  
 ☎ +45/43 27 18 18 ☎ +45/43 43 05 28

**H** Magyarországi szerviz  
**Hondimpex KFT.**  
 Kossuth L. u. 48-50  
**8060 Mór**  
 ☎ +36(-22)/407 321 ☎ +36(-22)/407 852

**CH** **J. Wagner AG**  
 Industriestraße 22  
**9450 Altstätten**  
 ☎ +41/71/7 57 22 11 ☎ +41/71/7 57 23 23

**PL** **PUT Wagner Service**  
 ul. E. Imieli 27  
**41-605 Swietochlowice**  
 ☎ +48/32/2 45 06 19 ☎ +48/32/2 41 42 51

**SK** **E-Coreco SK s.r.o.**  
 Kráľovská ulica 8/7133  
 927 01 Saľa  
**Slovenská republika**  
 ☎ +421948882850 ☎ +421313700077

**HR** Adresa servisa:  
**EL-ME-HO**  
 Horvatinićev put 2  
**10436 Rakov Potok/Kroatien**  
 ☎/☎ +385(-1)65 86 - 028

**NL** **WSB Finishing Equipment BV**  
 De Heldinnenlaan 200  
**3543 MB Utrecht**  
 ☎ +31/30/2 41 41 55 ☎ +31/30/2 41 17 87

**AUS** **Wagner Spraytech**  
**Australia Pty. Ltd.,**  
 14-16 Kevlar Close,  
**Braeside, VIC 3195/Australia**  
 ☎ +61/3/95 87 20 00 ☎ +61/3/95 80 91 20

**GB** **Wagner Spraytech (UK) Ltd**  
 Opus Park  
 Moorfield Road  
**Guildford Surrey GU1 1SZ**  
 ☎ +44 (0) 1483 454666 ☎ + 44 (0)1483 454548

[www.aurasprayers.com](http://www.aurasprayers.com)